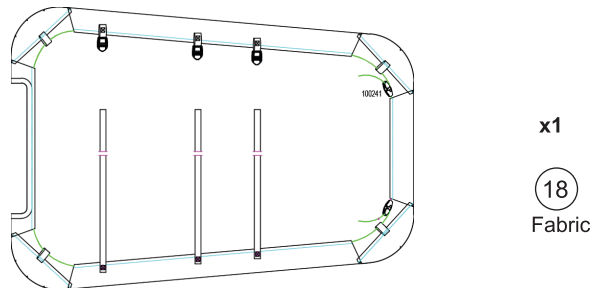
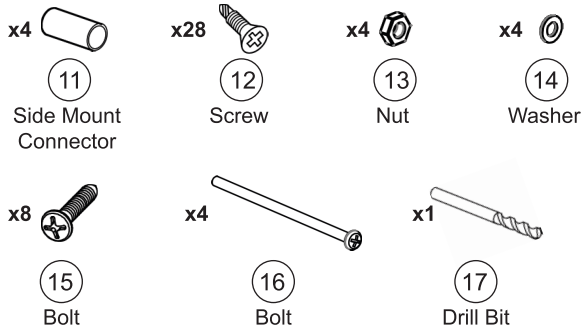
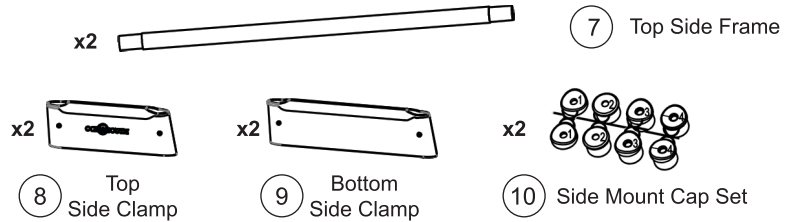
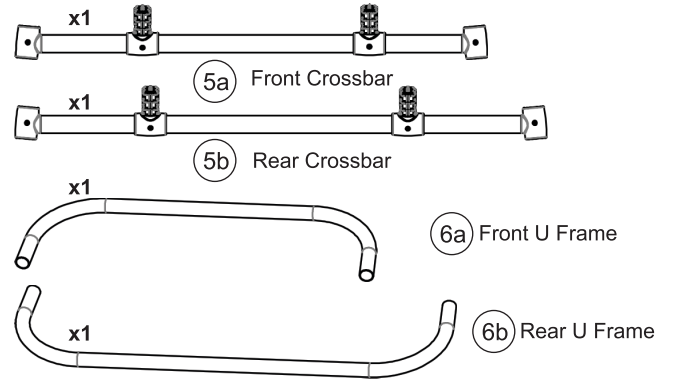
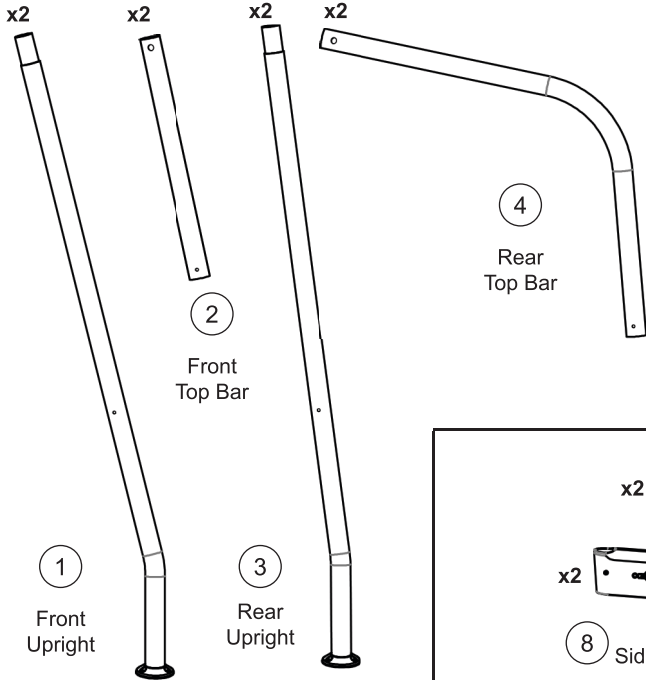


Read the entire instruction manual before starting so that you are familiar with the stages of assembly and the tools required at each step



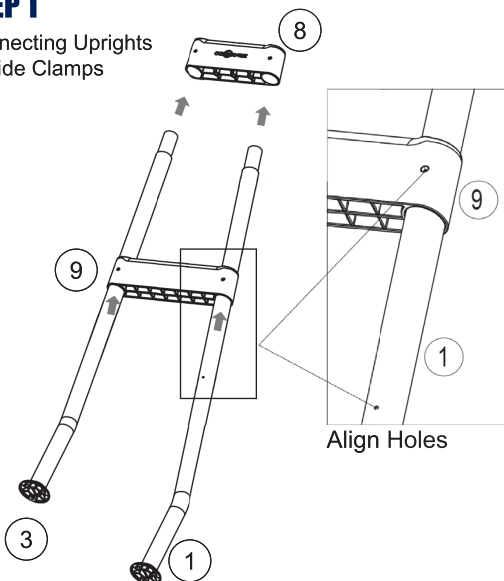
TOOLS REQUIRED (Not Supplied)
• Phillips screwdriver
• Cordless Drill
• Masking tape
• Tape measure
• Pencil

## COMPONENTS INCLUDED



## STEP 1

Connecting Uprights to Side Clamps

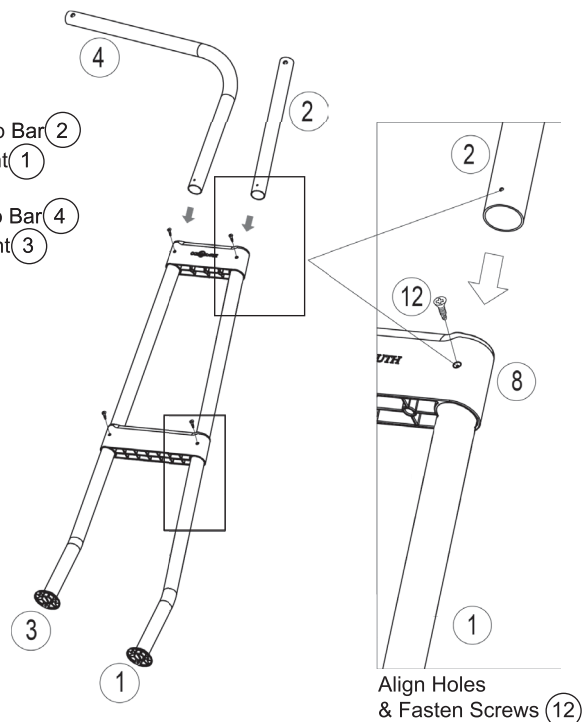


Feed both the Front and Rear Uprights (1 + 3) through the Top and Bottom Side Clamps (8 + 9) **Making sure the small screw holes of Side Clamps are facing outward**

## STEP 2

Connecting Top Bars to Uprights

- Connect Front Top Bar (2) to the Front Upright (1)
- Connect Rear Top Bar (4) to the Rear Upright (3)



Align Holes & Fasten Screws (12)

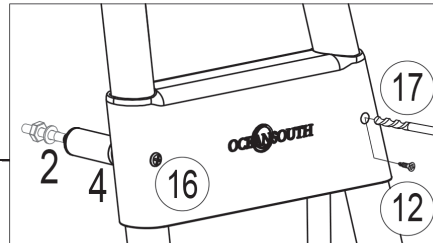
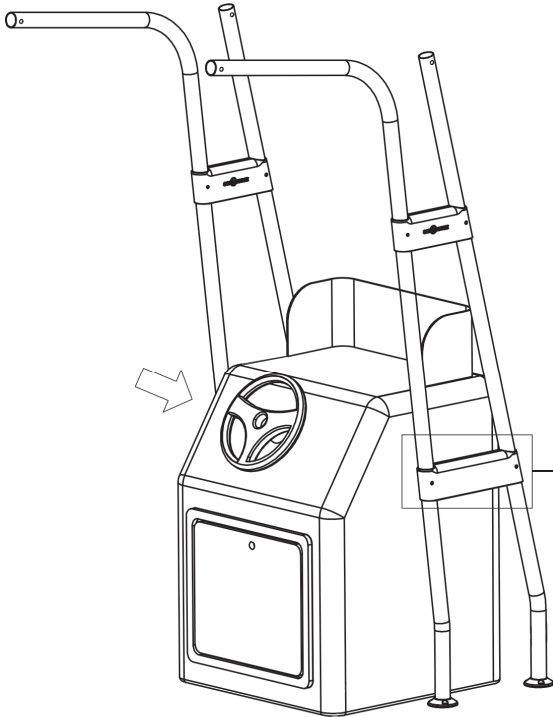
### STEP 3 Attaching Side Mount (2 Options)

#### Assembling Cap Set for Option 1

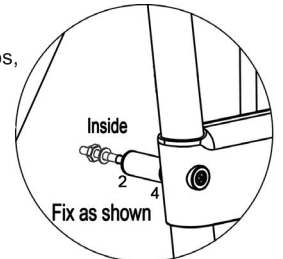


- Assemble all side mount Cap Sets (4 Sets),
- Connect the Side Mount Connector (11) to the top and bottom of the cap set. (as shown in the diagram)

#### Mounting Option A Attaching to the side of the console through the Side Clamp.

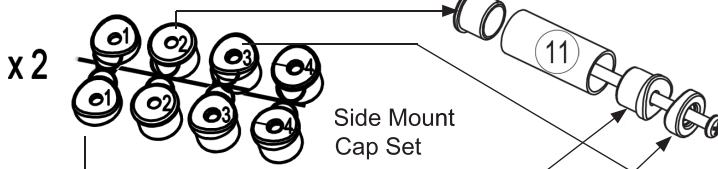


- Undo the screws in the Side Clamps (8) & (9)
- Place the drill bit into the holes of the Bottom Side Clamp and mark position of where to drill on the console (*Ensuring no wiring inside the console will be damaged*)
- Using the provided drill bit, drill holes through the Side Clamp and console (on your marked positions)
- Place Bolt (16) through each of the Bottom Side Clamps, connecting them through the Side Mount Cap set you assembled earlier (as shown in the Figure 1)
- Fasten to the inside of the console using nut (13) and washer (14) (as shown in the Figure 1)
- Repeat above steps for the other side



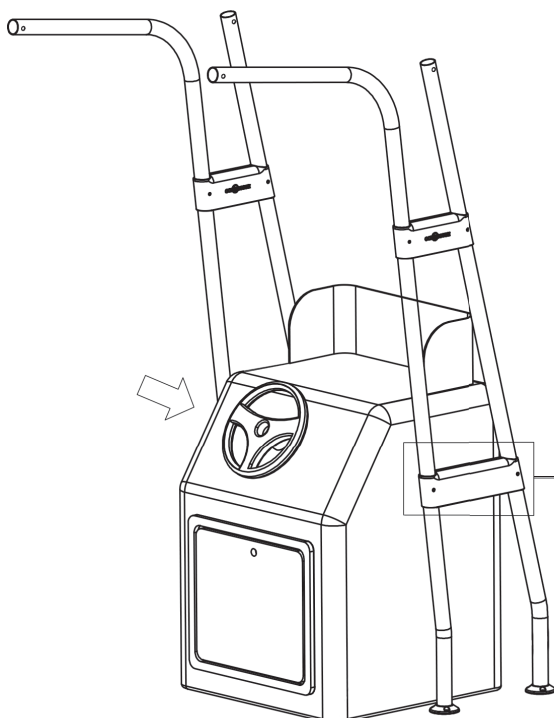
(Figure 1)

#### Assembling Cap Set for Option 2

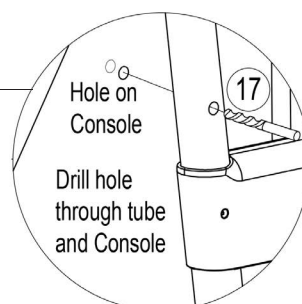


- Assemble all side mount Cap Sets (4 Sets),
- Connect the Side Mount Connector (11) to the top and bottom of the cap set. (as shown in the diagram)

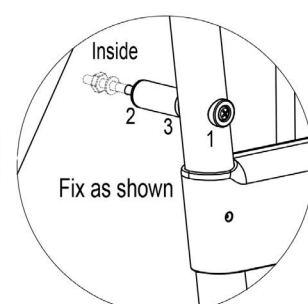
#### Mounting Option B Attaching to the side of the console through the alloy frame.



- Just above the Bottom Side Clamps, Mark suitable position on both the Rear Upright and console (*Ensuring no wiring inside the console will be damaged*)
- Using the provided Drill Bit, drill holes through both marked positions
- Place Bolt (16) through each of the holes connecting them through the tube and Cap Set into the console. (as shown in the Figure 1)
- Fasten to the inside of the console using nut (13) and washer (14) (as shown in the Figure 2)
- Repeat above steps for the other side

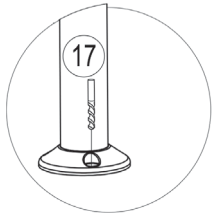


(Figure 1)



(Figure 2)

## STEP 4



a. Using the provided Drill Bit, drill holes through the Upright Rear into the floor of the boat.

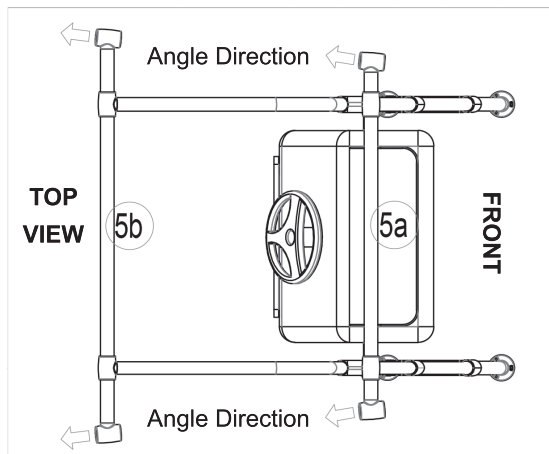
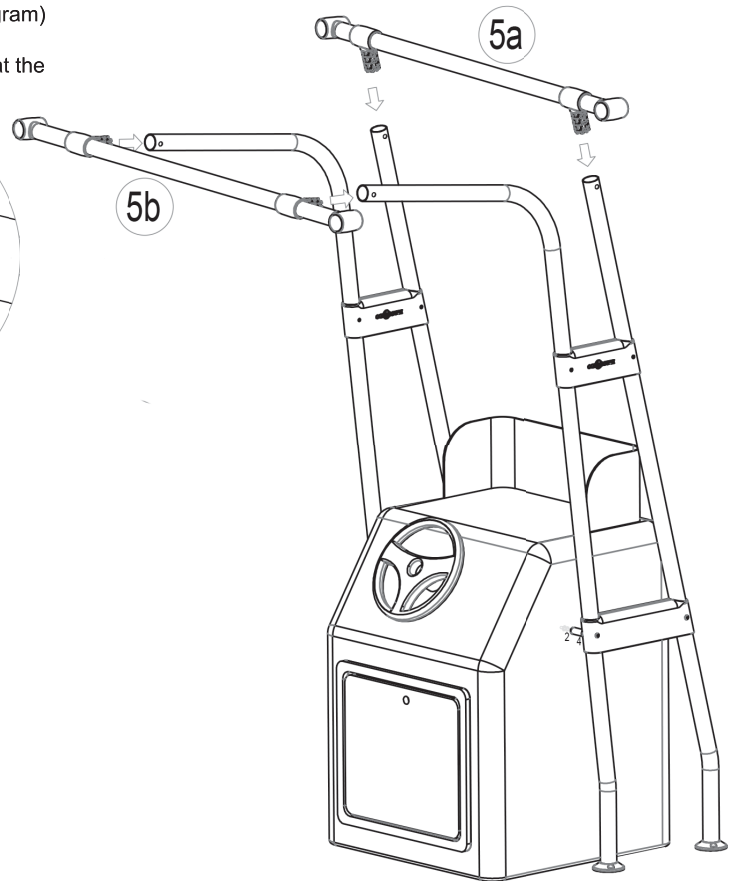
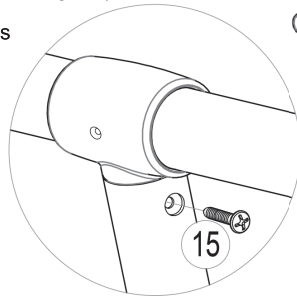
b. Fix Screws to the floor of the boat.  
*(These screws are not provided – You will need to source your own screws, as there will be different screws required depending on the material your boat floor is made from)*

## STEP 5 Assembling Top Frame

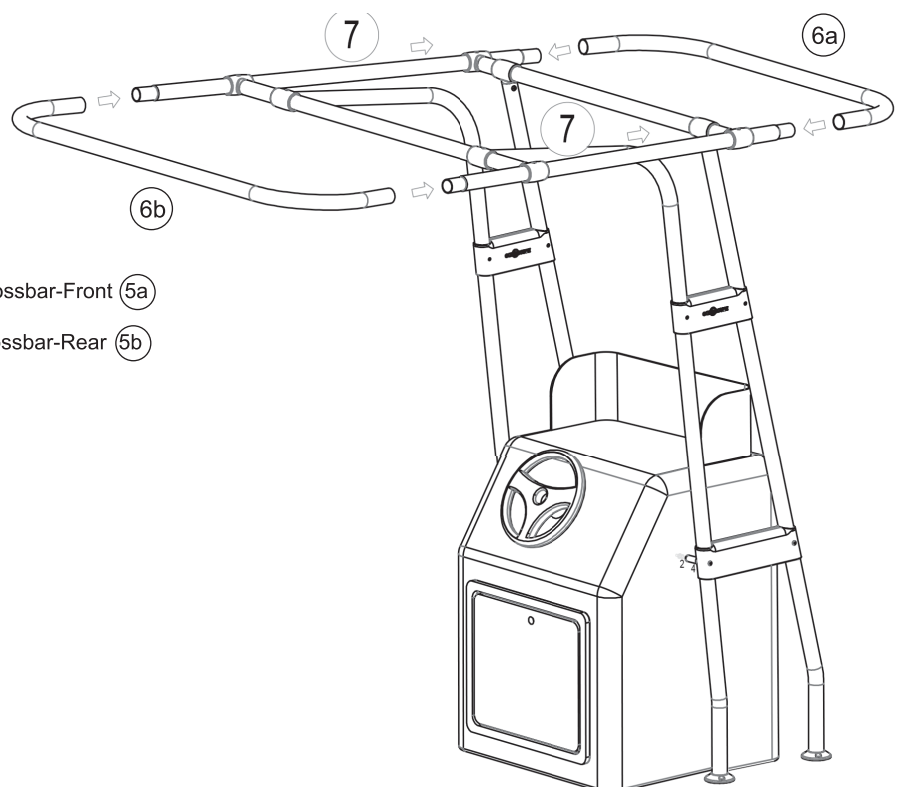
a. Place Crossbar (5a) into the Top Bars (as shown in the diagram)

b. Place Crossbar-Rear (5b) into the curved uprights located at the back of the T-Top. (as shown in diagram).

c. Connect each of the crossbars to the uprights using fastening screw (15)



## STEP 6

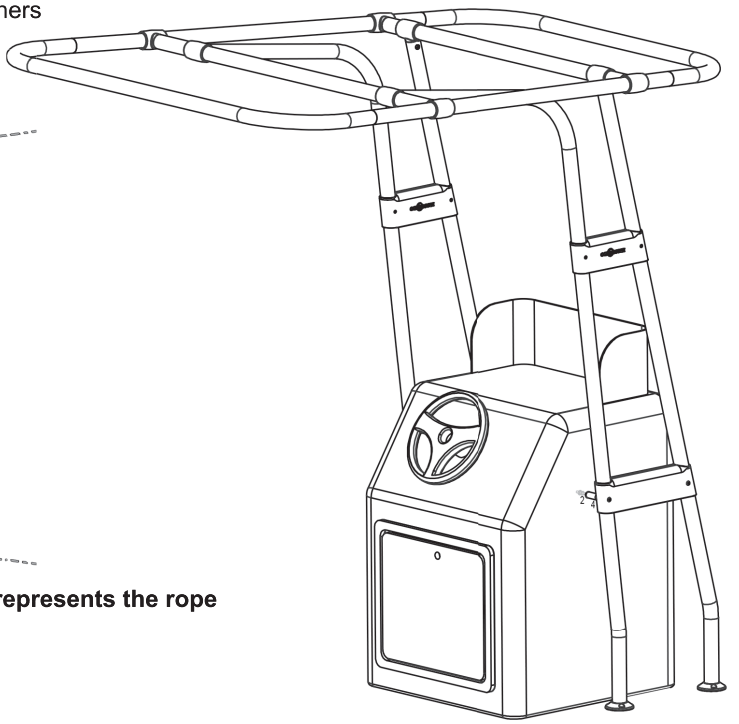
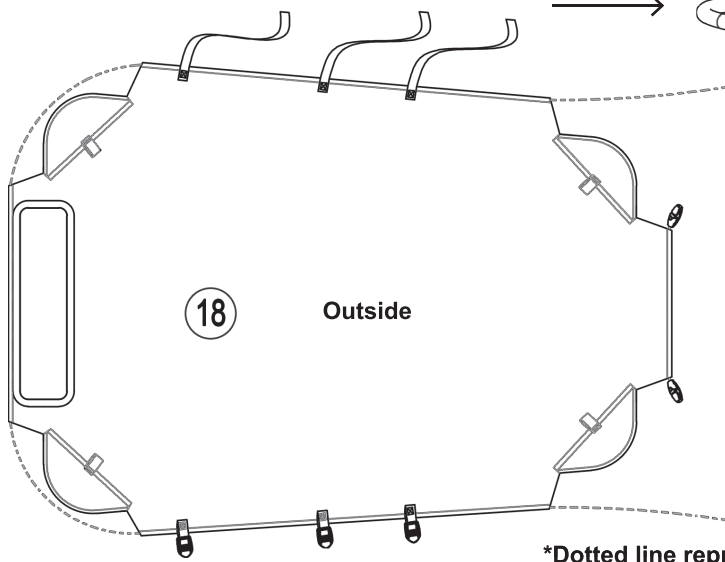


a. Connect U Frame Front (6a) to the Crossbar-Front (5a)

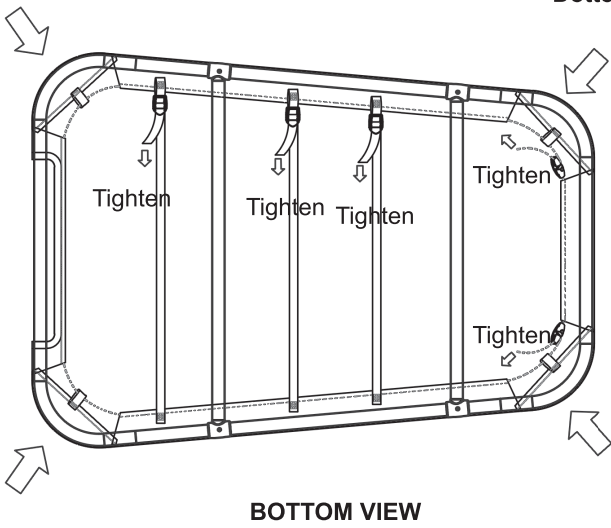
b. Connect U Frame Rear (6b) to the Crossbar-Rear (5b)

**STEP 7** Assembling Top Fabric

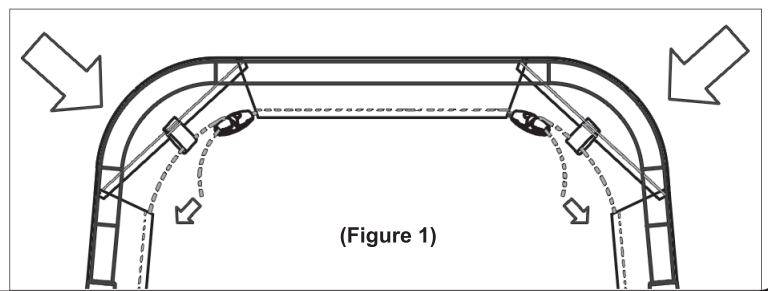
Feed rope through loops of the front corners



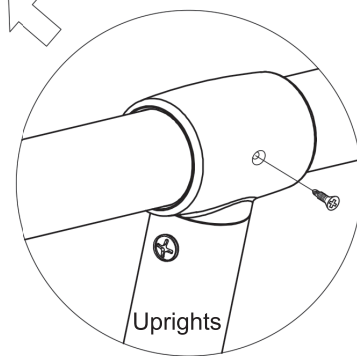
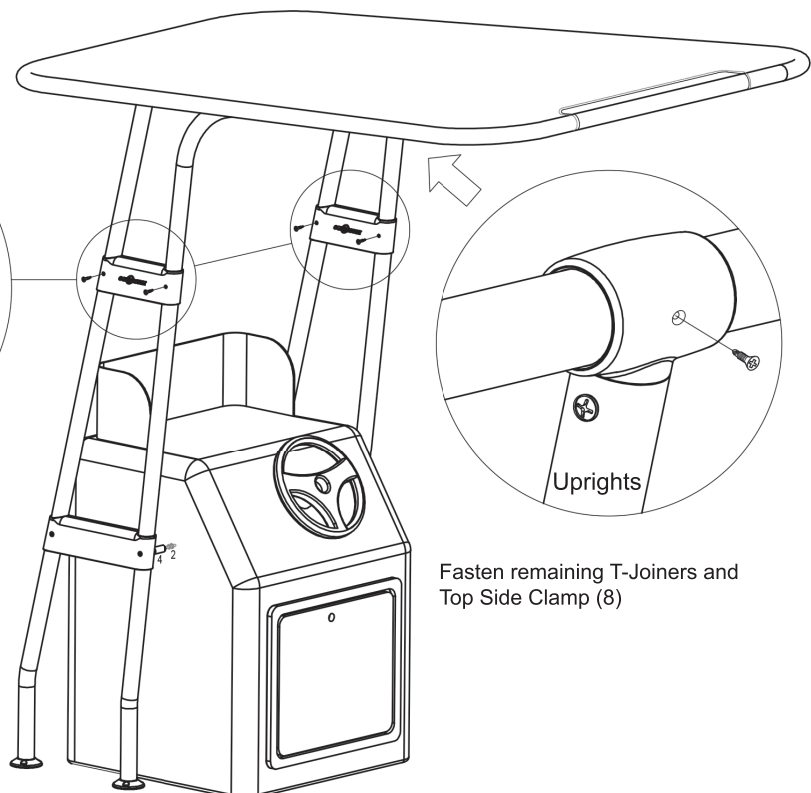
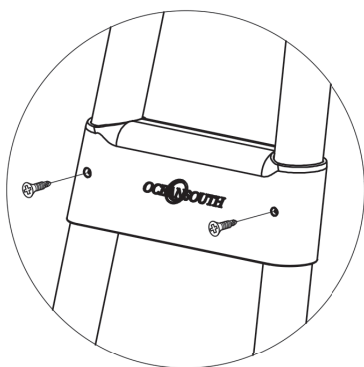
\*Dotted line represents the rope



- a. Fasten the 4 corners of the fabric to the frame.
- b. Rope go through the loops of front corners.(Figure 1)
- c. Tighten the webbing straps on the side of the fabric.



**STEP 8** Securing full frame with Screws (12)



Fasten remaining T-Joiners and Top Side Clamp (8)